

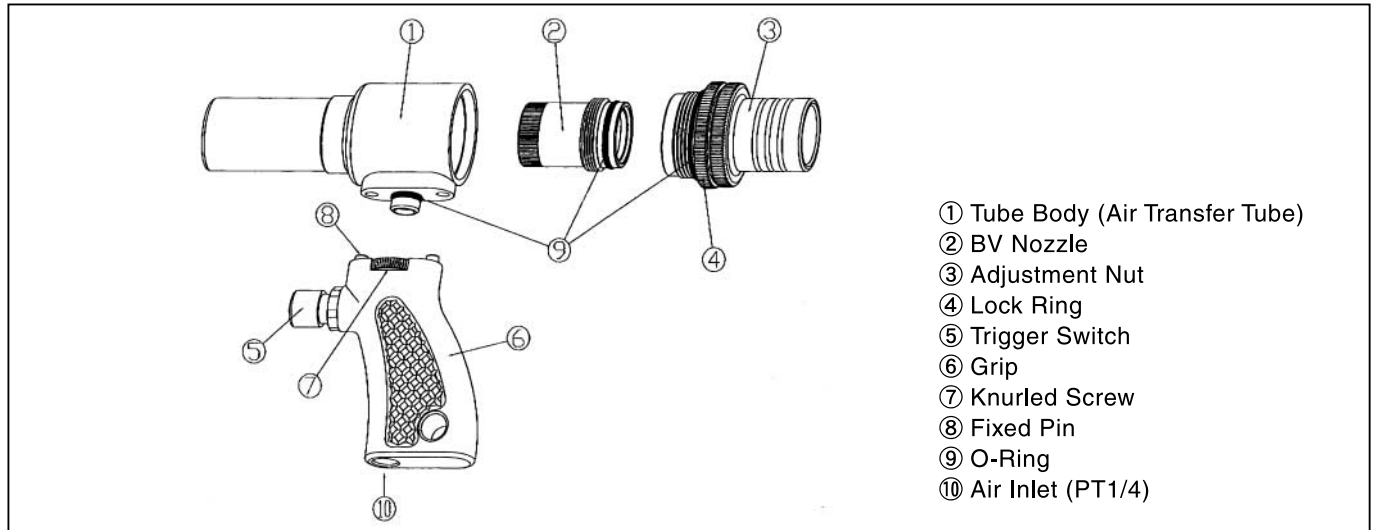
# INSTRUCTION MANUAL of EXAIR GUN and TUBE

EXAIR GUN and TUBE apply the Principle of Vacuum and suck the surrounding air so that the discharge air volume of 8~10 times of the supplied air (compressed air) can be obtained.

The direction of BV Nozzle inside of the tube body changes the direction of the air flow so that you can choose the suction or the discharge function simply.

Since there is no rotating part inside, you can use in various workshops without worrying about a trouble.

## PART NAME



## HOW TO USE

Supply the compressed air through the air inlet. Press the trigger switch and the air is discharged.  
PT1/4 or PF1/4 female thread is machined in the air inlet.

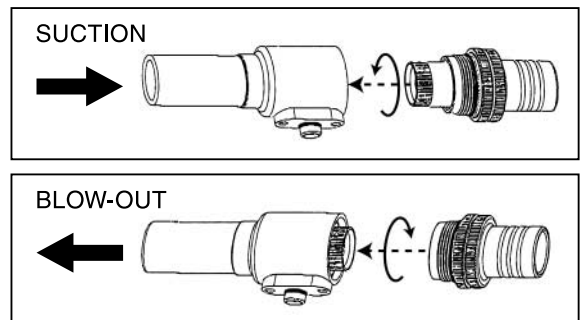
### HOW TO CHANGE SUCTION AND DISCHARGE

#### ◎ To Use Suction Function

Remove the BV Nozzle from the Tube body. Then, screw the BV Nozzle into the Adjustment Nut to the end. (refer to the left figure.)

#### ◎ To Use Blow Out

Remove the BV Nozzle from the Adjustment Nut. Then, screw the BV Nozzle into the Tube Body to the end and mount the Adjustment Nut onto the Tube Body. (refer to the left figure.)



### HOW TO SEPARATE/ASSEMBLE THE TUBE AND THE GRIP

Turn the Knurled Nut ⑦ to the left, and it comes off. Match the Fixed Pin on the grip with the Location Hole on the Tube Body and turn to the right. Then, the Grip are installed.

### HOW TO ADJUST THE AIR FLOW VOLUME

The position where the Adjustment Nut is turned to the right till it stops is the lowest flow volume. Turning to the left from that position widens the gap for the air flow. But, the air consumption also increases in proportion to the increases of the air flow. Use at the most efficient position with the red mark carved on the Adjustment Nut and graduations on the Tube Body as an aim.

#### 《CAUTION》

- ① The direction of BV Nozzle is set to the Discharge side at the factory. When you use its Suction function, change the direction of BV Nozzle referring to the above explanation.
- ② When a nipple or a coupler is mounted on the ⑩ Air Inlet, be sure to use the seal tape.
- ③ Give the grease to the O-ring properly.

#### WARNING !

When using by Suction, install a duct collection bag or a hose firmly. When using by Discharge, never point to a person.

Manufacturer